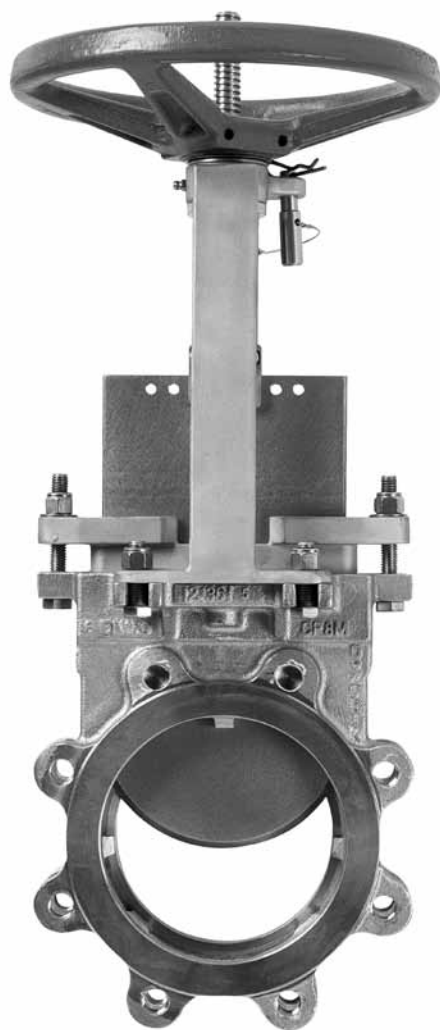


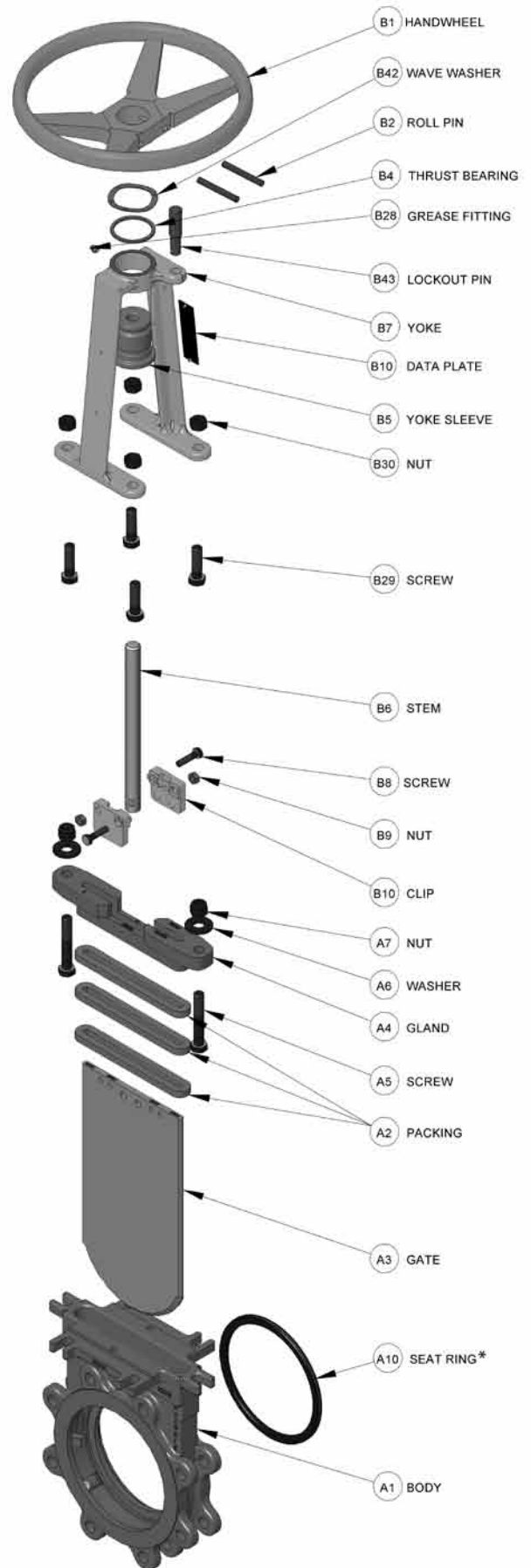


**DeZURIK KGC-HD HEAVY DUTY
CAST STAINLESS STEEL
KNIFE GATE VALVES
TECHNICAL SPECIFICATIONS**



Materials of Construction

Item	Description	Material
A1	Body	304 Stainless Steel, ASTM A351 CF8
		316 Stainless Steel, ASTM A351 CF8M
		317 Stainless Steel, ASTM A351 CG8M
		254-SMO Stainless Steel, ASTM A351 CK3MCuN
		2205 Duplex Stainless Steel, ASTM A890 CD3MN
		Hastelloy C 276, ASTM A494 CW12MW
A2	Packing	SMP - PTFE Braided Packing to 500°F (260°C) (pH Range 0-14)
		TDP - Dry Service, Dry PTFE Braided Packing with Solid PTFE Cord to 500°F (260°C) (pH Range: 0-14)
		HTP - High Temperature Braided Packing to 650°F (343°C) (pH Range: 1-12)
		HMP - High Temperature Braided Packing with Metal Scraper Ring to 1000°F (540°C) (pH Range: 3-10)
		FGP - Food Grade Service to 450°F (232°C) (pH Range: 3-11)
A3	Gate	304 Stainless Steel, ASTM A240
		316 Stainless Steel, ASTM A240
		317 Stainless Steel, ASTM A240
		17-4 Stainless Steel H900 Heat Treated, ASTM A564
		254 - SMO Stainless Steel, ASTM A240
		2205 Duplex Stainless Steel, ASTM A276
		Hastelloy C 276, ASTM B574
410 Stainless Steel, ASTM A240		
A4	Gland	Matches Body Material
A5	Screw	304 Stainless Steel
A6	Washer	304 Stainless Steel
A7	Nut	304 Stainless Steel
A10	Seat Ring*	CR - Chloroprene to 180°F (83°C)
		NBR - Acrylonitrile-Butadiene to 180°F (83°C)
		EPDM - Terpolymer of Ethylene, Propylene and a Diene to 250°F (122°C)
		FKM - Fluoro Rubber to 400°F (204°C)
		17-4 PH Stainless Steel H900 Heat Treated
		CRW - Chloroprene, Off White to 140°F (60°C)
		PTFE - Polytetrafluoroethylene, white to 450°F (230°C)
		Reinforced PTFE - Polytetrafluoroethylene, to 500°F (260°C)
B1	Handwheel	Painted, Cast Iron
B2	Roll Pin	Carbon Steel or 420 Stainless Steel
B4	Thrust Bearing	Oil Impregnated Bronze
B5	Yoke Sleeve	Aluminum Bronze
B6	Stem	304 Stainless Steel
B7	Yoke	Cast Steel or 304 Stainless Steel
B8	Screw	Zinc Plated Steel or 18-8 Stainless Steel
B9	Nut	Zinc Plated Steel or 18-8 Stainless Steel
B10	Clip	304 Stainless Steel
B23	Data Plate	316 Stainless Steel
B28	Grease Fitting	Zinc Plated Steel
B29	Screw	Zinc Plated Steel or 18-8 Stainless Steel
B30	Nut	Zinc Plated Steel or 18-8 Stainless Steel
B42	Wave Washer	304 Stainless Steel
B43	Lockout Pin	304 Stainless Steel



*The replaceable Seat Ring is standard on resilient-seated valves and optional on metal-seated valves. The standard integral metal seat matches the body material.

Valve Selection

Shut-Off Capabilities

Resilient Seats	Leak tight/drip tight
Metal Seats	Meet MSS SP-81 and TAPPI TIS 405-8

Pressure Ratings

2-48" (50-1200mm)	150 psi C.W.P. (1030 kPa)
Optional 30 & 36" (750 & 900mm)	100 psi C.W.P. (690 kPa)

Notes:

Valve can handle Full Reverse Pressure without damage.

Valves with Chloroprene, off white seats are limited to 50 psi (350 kPa). Contact DeZURIK with service conditions.

Flow Parameters

Round Port

Valve Size	Cv* Kv* 100% Open	K** (resistance)	Port Area (in ² /cm ²)
2" 50mm	300 260	0.16	3.1 20
3" 80mm	675 584	0.16	7.1 46
4" 100mm	1200 1040	0.16	12.6 81
5" 125mm	1900 1640	0.16	19.6 126
6" 150mm	2700 2340	0.16	28.3 183
8" 200mm	4800 4200	0.16	50.3 325
10" 250mm	7500 6500	0.16	78.5 506
12" 300mm	10800 9300	0.16	113 729
14" 350mm	13200 11400	0.16	138 890
16" 400mm	17400 15100	0.16	183 1180
18" 450mm	22300 19300	0.16	234 1510
20" 500mm	27800 24000	0.16	291 1880
22" 550mm	34000 29400	0.16	355 2290
24" 600mm	40500 35000	0.16	425 2740
26" 650mm	47800 41300	0.16	501 3230
28" 700mm	55600 48100	0.16	583 3760
30" 750mm	64000 55400	0.16	672 4340
32" 800mm	73000 63100	0.16	767 4950
36" 900mm	93000 80400	0.16	976 6300
42" 1050mm	126000 109000	0.16	1336 8620
48" 1200mm	165000 142700	0.16	1750 11290

*Cv = Flow in GPM of water at 1 psi pressure drop.

Kv = Flow in m³/hr. of water at 100 kPa pressure drop.

** K = The resistance coefficient of the valve. The constant (K) can be used to determine the equivalent length of pipe.

$L = \frac{Kx D}{f}$ Where
 L = Equivalent length of pipe in feet
 K = Resistance coefficient
 D = Pipe diameter in feet
 f = Friction factor, related to type of pipe

Applicable Standards

DeZURIK KGC-HD Knife Gate Valves are designed and/or tested to meet the following standards:

MSS SP-81	Metal Seated Valves, Stainless Steel, Bonnetless, Flanged Knife Gate Valves
ANSI B16.5 2-24" (50-600mm)	Flanges and Flanged Fittings, ANSI 150 Conforms to related drilling dimensions
ANSI 16.47 26-48" (650-1200mm)	Large diameter Steel Flanges. Series A. Conforms to related dimensions
International Standards	Conforms to flanged bolt guides — JIS 10; DIN 10 and DIN 16; ISO 7005-1/PN10 and 7005-2/PN16; BS 4504/PN10 and BS 4504/PN16; and AS 2129 Tables D and E; SANS 1123-1000 and SANS 1123-1600
TAPPI TIS 405-8	Recommendations for Stainless Steel, Bonnetless, Flanged, Wafer Knife Gate Valves. Revoked by TAPPI, Same as MSS SP-81

Flow Parameters

V-port 60 Degrees

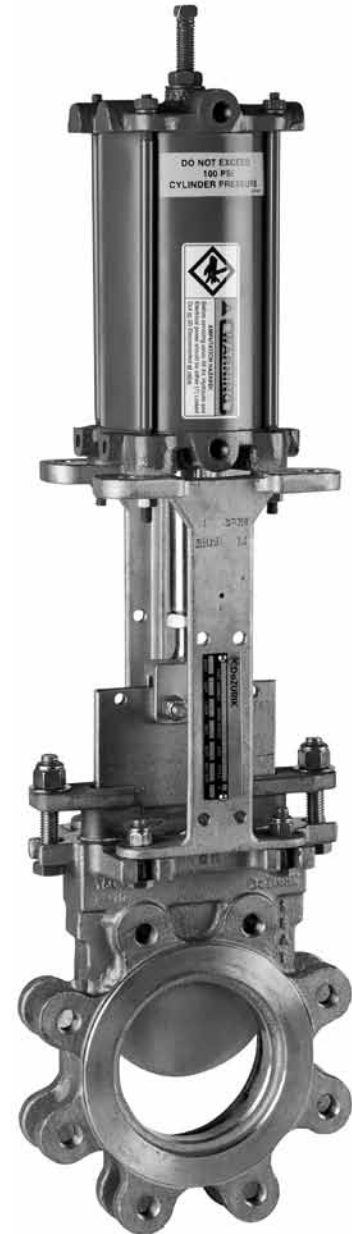
Valve Size	Cv* Kv* 100% Open	K** (resistance)	Port Area (in ² /cm ²)
2" 50mm	89 77	1.80	1.9 12
3" 80mm	210 584	1.63	4.3 28
4" 100mm	386 330	1.53	7.7 50
5" 125mm	665 580	1.27	11.5 74
6" 150mm	900 780	1.42	17.2 111
8" 200mm	1660 1400	1.32	30.6 197
10" 250mm	2320 2000	1.65	42.0 271
12" 300mm	3490 3000	1.52	61.9 399
14" 350mm	4650 4000	1.27	80.8 521
16" 400mm	6110 5300	1.29	106 680
18" 450mm	8000 6900	1.23	138 890
20" 500mm	10100 8700	1.20	170 1100
22" 550mm	11900 10300	1.28	213 1370
24" 600mm	15100 13100	1.14	250 1610
26" 650mm	16800 14500	1.28	300 1940
28" 700mm	19500 16900	1.29	350 2260
30" 750mm	23900 20700	1.14	389 2510
32" 800mm	25600 22100	1.30	460 2970
36" 900mm	35200 30400	1.11	568 3660
42" 1050mm	44100 38100	1.32	800 5160
48" 1200mm	57800 50000	1.33	1050 6770

Valve Selection

Valve and Actuator Weights

Valve Size	Basic Valve	With Lever	With Handwheel	With Chainwheel	With Bevel Gear Handwheel*	With Cylinder		
						Size	lbs.	Kg.
2" 50mm	10	20	20	32	—	4" (100mm)	29	13
	4.5	9	9	14.5				
3" 80mm	16	37	27	39	88	4" (100mm)	37	17
	7	17	12	18				
4" 100mm	24	48	36	48	96	4" (100mm)	45	20
	11	22	16	22		43.5	6" (150mm)	63
5" 125mm	32	60	51	66	108	4" (100mm)	58	26
						6" (150mm)	76	35
						8" (200mm)	88	40
6" 150mm	38	66	57	75	113	4" (100mm)	63	29
						6" (150mm)	81	37
						8" (200mm)	93	42
8" 200mm	65	98	86	101	144	6" (150mm)	112	51
						8" (200mm)	124	56
						8" (200mm)	174	79
10" 250mm	103	157	141	179	191	10" (250mm)	220	100
						12" (300mm)	257	117
						8" (200mm)	225	102
12" 300mm	148	213	187	227	241	10" (250mm)	270	122
						12" (300mm)	309	140
						12" (300mm)	372	169
14" 350mm	199	N/A	265	284	303	10" (250mm)	332	151
						12" (300mm)	409	186
						12" (300mm)	449	204
16" 400mm	272	N/A	341	358	380	14" (350mm)	495	225
						12" (300mm)	551	250
						14" (350mm)	602	273
18" 450mm	361	N/A	433	449	473	16" (400mm)	813	369
						12" (300mm)	712	323
						14" (350mm)	760	345
20" 500mm	518	N/A	593	653	637	16" (400mm)	982	445
						12" (300mm)	830	377
						14" (350mm)	881	400
22" 550mm	622	N/A	698	N/A	760	16" (400mm)	1101	500
						18" (450mm)	1144	519
						12" (300mm)	947	430
24" 600mm	725	N/A	803	N/A	882	14" (350mm)	1001	454
						16" (400mm)	1219	553
						18" (450mm)	1262	572
26" 650mm	918	N/A	N/A	N/A	1104	12" (300mm)	1200	544
						14" (350mm)	1251	568
						16" (400mm)	1524	692
28" 700mm	1111	N/A	N/A	N/A	1325	18" (450mm)	1578	716
						20" (500mm)	1711	777
						12" (300mm)	1417	643
30" 750mm	1446	N/A	N/A	N/A	1594	14" (350mm)	1467	666
						16" (400mm)	1648	748
						18" (450mm)	1830	830
32" 800mm	1700	N/A	N/A	N/A	1825	20" (500mm)	1963	891
						12" (300mm)	1718	780
						14" (350mm)	1768	802
36" 900mm	2204	N/A	N/A	N/A	2366	16" (400mm)	1985	900
						18" (450mm)	2205	1000
						20" (500mm)	2365	1073
42" 1050mm	3600	N/A	N/A	N/A	3908	12" (300mm)	1901	862
						14" (350mm)	1951	886
						16" (400mm)	2121	963
48" 1200mm	4997	N/A	N/A	N/A	5450	18" (450mm)	2300	1044
						20" (500mm)	2426	1101
						14" (350mm)	2541	1153
	2266				2474			
								On Application
								On Application

Pounds
Kilograms



Note: Weights are approximate and do not include crating.

* For Bevel Gear with Chainwheel, add the following weight to the bevel gear with handwheel weight:

- 2-18" add 7 lbs. (3kg)
- 20-24" add 26 lbs. (12kg)
- 30" add 74 lbs. (34kg)
- 36" add 68 lbs. (31kg)

Ordering

To order, simply complete the valve order code from information shown. An ordering example is shown for your reference.

Valve Style

Give valve style code as follows:

KGC = Cast Stainless Steel Knife Gate Valve

Valve Size

Give valve size code as follows:

2 = 2" (50mm)	20 = 20" (500mm)
3 = 3" (80mm)	22 = 22" (550mm)
4 = 4" (100mm)	24 = 24" (600mm)
5 = 5" (125mm)	26 = 26" (650mm)
6 = 6" (150mm)	28 = 28" (700mm)
8 = 8" (200mm)	30 = 30" (750mm)
10 = 10" (250mm)	32 = 32" (800mm)
12 = 12" (300mm)	36 = 36" (900mm)
14 = 14" (350mm)	42 = 42" (1050mm)
16 = 16" (400mm)	48 = 48" (1200mm)
18 = 18" (450mm)	

Body Style

Give body style code as follows:

HD = Heavy Duty

End Connection

Give end connection code as follows:

F1 = ANSI 150 UNC Tapping for Threads
 F110 = ISO 7005/PN10 Drilling
 F116 = ISO 7005/PN16 Drilling
 F1DA = AS2129 Table D Drilling
 F1EA = AS2129 Table E Drilling
 F1UN⁽¹⁾ = ANSI 150 UN-8 Tapping for Threads
 F1S10 = SANS1123-1000
 F1S16 = SANS1123-1600

Optional End Connections

F1T = ANSI 150 Through Bolting

On Application

F1J1 = JIS 10 Drilling

Body Material

Give body material code as follows:

Standard

S1 = 304 Stainless Steel
 S2 = 316 Stainless Steel
 S3 = 317 Stainless Steel

On Application

HC = Hastelloy C
 S6 = 254 Stainless Steel
 S10 = 2205 Duplex Stainless Steel

Packing Material

Give packing material code as follows:

Standard Packing

SMP = PTFE Braided Packing to 500°F (260°C) (pH Range 0-14)

Optional Packing

TDP = Dry Service, Dry PTFE Braided Packing with Solid PTFE Cord to 500°F (260°C) (pH Range: 0-14)
 HTP = High Temperature Braided Packing to 650°F (343°C) (pH Range: 1-12)
 HMP = High Temperature Braided Packing with Metal Scraper Ring to 1000°F (540°C) (pH Range: 3-10)
 FGP = Food Grade Service to 450°F (232°C) (pH Range: 3-11)

Gate Material (3)

Give gate material code as follows:

Standard Gate Materials

S1 = 304 Stainless Steel (Standard for S1 body material)
 S2 = 316 Stainless Steel (Standard for S2 body material)
 S3 = 317 Stainless Steel (Standard for S3 body material)

Optional Gate Materials

S5 = 17-4 Stainless Steel H900 Heat Treated (Used with S1, S2, & S3 body materials)

On Application

S6 = 254-SMO Stainless Steel (Used with S6 body material)
 S8 = 410 Stainless Steel (Used with S1, S2 & S3 body materials)
 S10 = 2205 Duplex Stainless Steel (Used with S2, S3 OR S10 body materials)
 HC = Hastelloy C (Used with HC body materials)

Seat Material (2)

Give seat material code as follows:

Standard Seat Materials

M = Metal
 V = V-Orifice All Metal
 CR = Chloroprene to 180°F (83°C)
 NBR = Acrylonitrile-Butadiene to 180°F (83°C)
 EPDM = Terpolymer of Ethylene, Propylene and a Diene to 250°F (122°C)

Optional Seat Materials

FKM = Fluoro Rubber to 400°F (204°C)
 S5D = 17-4 PH Stainless Steel H900 Heat Treated

On Application

CRW = Chloroprene, Off White to 140°F (60°C)
 PTFE or RTFE

Standard Options

Give option code as follows:

ARRA = ARRA Compliant
 PSA = Purge Ports in Seat Area
 PCA = Purge Ports in Chest Area
 PSC = Purge Ports in Seat and Chest Area
 CMC = Certificate of Material Conformance
 CRT = Certified Physical and Chemical Test Reports
 — = Optional Coating
 — = DeZURIK Standard Test Certification
 P100 = 30" and 36" (750 and 900mm) valves with 100 psi (690 kPa) rating

Notes:

- (1) Applies to valves 18" (450mm) and larger. Flange bolt hole threads are 8 threads per inch in accordance with ANSI, API and MSS standards.
- (2) The limiting factor in valve selection is the lowest temperature of the packing or seat.
- (3) Gate material limitations by body style in parentheses.

Ordering Example:

KGC,6,HD,F1,S2,SMP,S2-CR*Actuator

Manual Actuators

Lever Actuators

Lever actuators can be furnished on 2-12" (50-300mm) valves for applications where rapid valve operation is required or where space prevents use of a standard handwheel or bevel gear actuator. Maximum pressure differential required for valves with lever actuators should not exceed the limits listed. Maximums are based on the operating force for each valve size. Lever actuators are carbon steel only. SMP packing recommended with MN-LV.

To order, add the lever actuator code to the basic valve order code.

Ordering Example:

KGC,6,HD,F1,S2,SMP,S2-M*MN-LV-CS

Lever Actuator

Valve Size	Order Code Carbon Steel (CS) Yoke	Maximum Pressure Differential psi/kPa
2-4" 50-100mm	MN-LV-CS	75 520
5-6" 125-150mm	MN-LV-CS	45 310
8" 200mm	MN-LV-CS	25 170
10" 250mm	MN-LV-CS	20 140
12" 300mm	MN-LV-CS	14 100

Handwheel and Chainwheel Actuators

All 2-24" (50-600mm) valves can be furnished with handwheel actuators, and 2-20" (50-500mm) with chainwheel actuators. To order handwheel or chainwheel actuators, add the appropriate order code to the basic valve order code. Refer to information on bevel gear actuators for use on dry solids, paper stock, slurries or when pressure exceeds limits shown. Order chain for chainwheel actuators as a separate item.

Handwheel Actuator

Valve Size	Order Code	Order Code	Maximum Pressure Differential psi/kPa
	Carbon Steel (CS) Yoke	304 SST (S1) Yoke	
2-4" 50-100mm	MN-HD8-CS	MN-HD8-S1	150 1030
5-8" 125-200mm	MN-HD12-CS	MN-HD12-S1	150 1030
10-12" 250-300mm	MN-HD16-CS	MN-HD16-S1	150 1030
14" 350mm	MN-HD20-CS*	MN-HD20-S1*	125 860
16" 400mm	MN-HD20-CS*	MN-HD20-S1*	100 680
18" 450mm	MN-HD20-CS*	MN-HD20-S1*	75 515
20" 500mm	MN-HD20-CS*	MN-HD20-S1*	50 340
22" 550mm	MN-HD20-CS*	MN-HD20-S1*	25 170
24" 600mm	MN-HD20-CS*	MN-HD20-S1*	25 170

*Bevel gear actuators recommended for dry solids, paper stocks, slurries, or when pressure exceeds limits shown.

Ordering Example:

KGC,6,HD,F1,S2,SMP,S2-M*MN-HD12-CS

Chainwheel Actuator

Valve Size	Order Code	Order Code	Maximum Pressure Differential psi/kPa
	Carbon Steel (CS) Yoke	304 SST (S1) Yoke	
2-4" 50-100mm	MN-CW8-CS	MN-CW8-S1	150 1030
5-8" 125-200mm	MN-CW12-CS	MN-CW12-S1	150 1030
10-12" 250-300mm	MN-CW20-CS	MN-CW20-S1	150 1030
14" 350mm	MN-CW20-CS*	MN-CW20-S1*	125 860
16" 400mm	MN-CW20-CS*	MN-CW20-S1*	100 680
18" 450mm	MN-CW20-CS*	MN-CW20-S1*	75 515
20" 500mm	MN-CW20-CS*	MN-CW20-S1*	50 340

*Bevel gear actuators recommended for dry solids, paper stocks, slurries, or when pressure exceeds limits shown.

Ordering Example:

KGC,4,HD,F1,S2,SMP,S2-CR*MN-CW8-S1

Manual Actuators

Bevel Gear Actuators

Bevel gear actuators are available on 3-48" (80-1200mm) valves with handwheel or chainwheel actuators. Bevel gear actuators provide vertical mounting of the handwheel or chainwheel, or can be used where space limitations prohibit the use of a standard handwheel or chainwheel. A mechanical advantage makes large valve operation easier and faster.

Bevel Gear Handwheel Actuators

Valve Size	Order Code	Order Code	Maximum Pressure Differential psi/kPa
	Carbon Steel (CS) Yoke	304 SST (S1) Yoke	
3-18" 80-450mm	MNB-HD12-CS	MNB-HD12-S1	150 1030
20-24" 500-600mm	MNB-HD16-CS	MNB-HD16-S1	150 1030
30-42" 750-1050mm	MNB-HD30-CS	MNB-HD30-S1	150* 1030*
48" 1200mm	MNB-HD36-CS	MNB-HD36-S1	150 1030

Ordering Example:

KGC,14,HD,F1,S2,SMP,S2-CR*MNB-HD12-CS

Note:

For alternate mounting of bevel gear actuators, add -90, -180 or -270 after the actuator code and as 2nd line information on the order.

* Maximum pressure of 30" (750mm) and 36" (900mm) valves with P100 option is 100psi.

Bevel Gear Chainwheel Actuators

Valve Size	Order Code	Order Code	Maximum Pressure Differential psi/kPa
	Carbon Steel (CS) Yoke	304 SST (S1) Yoke	
3-18" 80-450mm	MNB-CW12-CS	MNB-CW12-S1	150 1030
20-24" 500-600mm	MNB-CW20-CS	MNB-CW20-S1	150 1030
30-42" 750-1050mm	MNB-CW30-CS	MNB-CW30-S1	150* 1030*
48" 1200mm	MNB-CW36-CS	MNB-CW36-S1	150 1030

Ordering Example:

KCG,14,HD,F1,S2,SMP,S2-CR*MNB-CW12-CS-90
Actuator mounted at 90 degrees

Manual Actuator Accessories

Chain for Chainwheel Actuators

Order as a separate item by giving the correct code and specify required length of chain as second line information. One closing link is supplied with the Chainwheel Actuator.

Order Code	Description
ACC*CN102	Steel, Zinc Plated 3/16
ACC*CN103	Galvanized 3/16
ACC*CN106	316 Stainless Steel 3/16

Ordering Example:

ACC*CN102

Chain 12 feet long (366cm)

Extension for Handwheel or 2" Nut Extension

Provides extension of the handwheel or nut to allow remote operation – normally from above. The extension includes fittings and extension pipe with handwheel or nut mounted. To order, specify description and extension length from center line of valve to handwheel or nut.

Order Code	Description
ENHD	Extension for Handwheel
ENTS	Extension for Nut

Ordering Example:

Handwheel: KGC,14,HD,F1,S2,SMP,S2-CR*MN-HD20-CS,ENHD

Nut: KGC,14,HD,F1,S2,SMP,S2-CR*MN-N-CS,ENTS

Center line of valve to handwheel nut 72 inches (1829mm).

Lockout Device

Available on all sizes of handwheel, bevel gear handwheel and cylinder actuated valves. To order, add a comma and the order code "LK" after the actuator code.

Ordering Example:

KGC,14,HD,F1,S2,SMP,S2-CR*MNB-HD12-CS,LK

Floorstand

A floorstand for handwheel actuated valves allows operation from above. Includes floorstand with gate position indicator, handwheel, fittings and extension. To order, specify length from center line of valve to base of floorstand. This dimension must be at least twice the dimension from center line to handwheel. For non-rising stems only. Floor stands for use with rising stems are available on application.

Ordering Example:

KGC,14,HD,F1,S2,SMP,S2-CR*MN-HD20-CS

Except with floorstand. Center line of valve to base of floorstand 72 inches (1829mm).

Deflection Cones

To prolong valve life in particularly demanding services, deflection cones are available in 316 stainless steel or abrasion resistant cast iron per ASTM A532 with Brinell Hardness of at least 500 BHN. Order as a separate line item by giving the correct code and valve size.

Order Code	Description
DCS23 - Valve Size	316 Stainless Steel
DCNH23 - Valve Size	Abrasion Resistant Cast Iron

Ordering Example:

ACC*DCS23-12 316SST Cone for 12" valve

Cylinder Actuators

On-Off Cylinder Actuators

DeZURIK cylinder actuators are available with double-acting pneumatic or hydraulic cylinders for on/off or positioning services. Supply pressure is 60 or 80 psi (410 or 550 kPa). To order, add the proper code from the on/off column of the table to the valve order code. Specify hydraulic media if other than oil.

Positioning Cylinder Actuators

DeZURIK cylinder actuators are available with pneumatic or electronic positioners for throttling control. Positioners are enclosed and mounted on the superstructure.

Actuator Sizing

60 psi (410 kPa) Air Supply

Valve Size	Order Code	Order Code	Maximum Pressure Differential psi/kPa			
			On/Off		Positioning	
			Dry Solids, Slurries, Paper Stock	Liquids & Gases	Dry Solids, Slurries, Paper Stock	Liquids & Gases
2 & 3" 50 & 80mm	CY-PC4-CS	CY-PC4-S1	150	150	150	150
			1030	1030	1030	1030
4" 100mm	CY-PC4-CS	CY-PC4-S1	100	150	75	75
			690	1030	515	515
5 & 6" 125 & 150mm	CY-PC6-CS	CY-PC6-S1	150	N/R	150	150
			1030		1030	1030
			N/A	50	N/A	N/A
8" 200mm	CY-PC6-CS	CY-PC6-S1	125	150	75	100
			860	1030	515	690
			150	N/R	150	150
10" 250mm	CY-PC8-CS	CY-PC8-S1	1030		1030	1030
			75	125	50	50
			515	860	340	340
12" 300mm	CY-PC8-CS	CY-PC8-S1	150	150	125	125
			1030	1030	860	860
			100	150	75	100
14" 350mm	CY-PC10-CS	CY-PC10-S1	690	N/R	515	690
			150	N/R	150	150
			1030	N/R	1030	N/R
16" 400mm	CY-PC12-CS	CY-PC12-S1	75	125	50	50
			515	860	340	340
			125	150	75	100
18" 450mm	CY-PC12-CS	CY-PC12-S1	860	1030	515	690
			150	N/R	150	150
			1030	N/R	1030	1030
20" 500mm	CY-PC14-CS	CY-PC14-S1	100	150	50	75
			690	1030	340	515
			150	N/R	150	150
22" 550mm	CY-PC16-CS	CY-PC16-S1	1030	N/R	860	1030
			50	125	25	50
			340	860	170	340
22" 550mm	CY-PC18-CS	CY-PC18-S1	125	150	75	100
			860	1030	515	690
			150	N/R	125	150
			1030	N/R	860	1030
22" 550mm	CY-PC18-CS	CY-PC18-S1	50	100	N/A	25
			340	690		170
			100	150	50	75
			690	1030	340	515
22" 550mm	CY-PC18-CS	CY-PC18-S1	150	N/R	100	125
			1030	N/R	690	860
			150	N/R	150	150
			1030	N/R	1030	1030

N/R = Not required. Use next smaller actuator.

N/A = Not available. Use larger actuator or contact DeZURIK.

Cylinder Actuators

Actuator Sizing

60 psi (410 kPa) Air Supply

Valve Size	Order Code	Order Code	Maximum Pressure Differential psi/kPa			
			On/Off		Positioning	
	Carbon Steel (CS) Yoke	304 SST (S1) Yoke	Dry Solids, Slurries, Paper Stock	Liquids & Gases	Dry Solids, Slurries, Paper Stock	Liquids & Gases
24" 600mm	CY-PC12-CS	CY-PC12-S1	25 170	75 515	N/A	N/A
	CY-PC14-CS	CY-PC14-S1	75 515	150 1030	50 340	50 340
	CY-PC16-CS	CY-PC16-S1	150 1030	N/R	75 515	100 690
	CY-PC18-CS	CY-PC18-S1	N/R	N/R	150 1030	150 1030
26" 650mm	CY-PC12-CS	CY-PC12-S1	N/A	75 515	N/A	N/R
	CY-PC14-CS	CY-PC14-S1	50 340	125 860	25 170	50 340
	CY-PC16-CS	CY-PC16-S1	125 860	150 1030	75 515	75 515
	CY-PC18-CS	CY-PC18-S1	150 1030	N/R	100 690	150 1030
	CY-PC20-CS	CY-PC20-S1	N/R	N/R	150 1030	N/R
28" 700mm	CY-PC12-CS	CY-PC12-S1	N/A	50 340	N/A	N/A
	CY-PC14-CS	CY-PC14-S1	50 340	100 690	N/A	25 170
	CY-PC16-CS	CY-PC16-S1	75 515	150 1030	50 340	75 515
	CY-PC18-CS	CY-PC18-S1	150 1030	N/R	75 515	125 860
	CY-PC20-CS	CY-PC20-S1	N/R	N/R	150 1030	150 1030
30" 750mm 100 CWP (P100)	CY-PC14-CS	CY-PC14-S1	25 170	75 515	N/A	N/A
	CY-PC16-CS	CY-PC16-S1	75 515	100 690	25 170	50 340
	CY-PC18-CS	CY-PC18-S1	100 690	N/R	75 515	75 515
	CY-PC20-CS	CY-PC20-S1	N/R	N/R	100 690	100 690
30" 750mm 150 CWP	CY-PC14-CS	CY-PC14-S1	25 170	75 515	N/A	N/A
	CY-PC16-CS	CY-PC16-S1	75 515	150 1030	25 170	50 340
	CY-PC18-CS	CY-PC18-S1	125 860	N/R	75 515	75 515
	CY-PC20-CS	CY-PC20-S1	150 1030	N/R	125 860	150 1030
32" 800mm	CY-PC14-CS	CY-PC14-S1	25 170	75 515	N/A	N/A
	CY-PC16-CS	CY-PC16-S1	50 340	125 860	25 170	25 170
	CY-PC18-CS	CY-PC18-S1	100 690	150 1030	50 340	75 515
	CY-PC20-CS	CY-PC20-S1	150 1030	N/R	75 515	125 860
36" 900mm 100 CWP (P100)	CY-PC14-CS	CY-PC14-S1	N/A	50 340	N/A	N/A
	CY-PC16-CS	CY-PC16-S1	25 170	75 515	N/A	N/A
	CY-PC18-CS	CY-PC18-S1	75 515	100 690	25 170	50 340
	CY-PC20-CS	CY-PC20-S1	100 690	N/R	50 340	75 515
36" 900mm 150 CWP	CY-PC14-CS	CY-PC14-S1	N/A	50 340	N/A	N/A
	CY-PC16-CS	CY-PC16-S1	25 170	75 515	N/A	N/A
	CY-PC18-CS	CY-PC18-S1	75 515	150 1030	25 170	50 340
	CY-PC20-CS	CY-PC20-S1	100 690	N/R	50 340	75 515
42 & 48" 1050 & 1200mm	Contact DeZURIK for cylinder actuator sizing.					

N/R = Not required. Use next smaller actuator.

N/A = Not available. Use larger actuator or contact DeZURIK.

Cylinder Actuators

Actuator Sizing

80 psi (550 kPa) Air Supply

Valve Size	Order Code	Order Code	Maximum Pressure Differential psi/kPa			
			On/Off		Positioning	
	Carbon Steel (CS) Yoke	304 SST (S1) Yoke	Dry Solids, Slurries, Paper Stock	Liquids & Gases	Dry Solids, Slurries, Paper Stock	Liquids & Gases
2 & 3" 50 & 80mm	CY-PC4-CS	CY-PC4-S1	150 1030	150 1030	150 1030	150 1030
	CY-PC4-CS	CY-PC4-S1	150 1030	150 1030	100 690	150 1030
4" 100mm	CY-PC6-CS	CY-PC6-S1	N/R	N/R	150 1030	N/R
	CY-PC4-CS	CY-PC4-S1	50 340	75 515	25 170	25 170
5 & 6" 125 & 150mm	CY-PC6-CS	CY-PC6-S1	150 1030	150 1030	125 860	150 1030
	CY-PC8-CS	CY-PC8-S1	N/R	N/R	150 1030	N/R
8" 200mm	CY-PC6-CS	CY-PC6-S1	100 690	150 1030	75 515	75 515
	CY-PC8-CS	CY-PC8-S1	150 1030	N/R	150 1030	150 1030
10" 250mm	CY-PC8-CS	CY-PC8-S1	150 1030	150 1030	100 690	125 860
	CY-PC10-CS	CY-PC10-S1	N/R	N/R	150 1030	150 1030
12" 300mm	CY-PC8-CS	CY-PC8-S1	100 690	150 1030	75 515	100 690
	CY-PC10-CS	CY-PC10-S1	150 1030	N/R	150 1030	150 1030
14" 350mm	CY-PC10-CS	CY-PC10-S1	125 860	150 1030	100 690	125 860
	CY-PC12-CS	CY-PC12-S1	150 1030	N/R	150 1030	150 1030
16" 400mm	CY-PC10-CS	CY-PC10-S1	100 690	150 1030	75 515	100 690
	CY-PC12-CS	CY-PC12-S1	150 1030	N/R	125 860	150 1030
	CY-PC14-CS	CY-PC14-S1	N/R	N/R	150 1030	N/R
18" 450mm	CY-PC12-CS	CY-PC12-S1	150 1030	150 1030	100 690	125 860
	CY-PC14-CS	CY-PC14-S1	N/R	N/R	150 1030	150 1030
20" 500mm	CY-PC12-CS	CY-PC12-S1	125 860	150 1030	75 515	75 515
	CY-PC14-CS	CY-PC14-S1	150 1030	N/R	125 860	150 1030
	CY-PC16-CS	CY-PC16-S1	N/R	N/R	150 1030	N/R
22" 550mm	CY-PC12-CS	CY-PC12-S1	100 690	150 1030	50 340	75 515
	CY-PC14-CS	CY-PC14-S1	150 1030	N/R	100 690	125 860
	CY-PC16-CS	CY-PC16-S1	N/R	N/R	150 1030	150 1030
24" 600mm	CY-PC12-CS	CY-PC12-S1	75 515	150 1030	25 170	50 340
	CY-PC14-CS	CY-PC14-S1	150 1030	N/R	100 690	125 860
	CY-PC16-CS	CY-PC16-S1	N/R	N/R	150 1030	150 1030
26" 650mm	CY-PC12-CS	CY-PC12-S1	50 340	125 860	25 170	25 170
	CY-PC14-CS	CY-PC14-S1	125 860	150 1030	75 515	75 515
	CY-PC16-CS	CY-PC16-S1	150 1030	N/R	125 860	150 1030
	CY-PC18-CS	CY-PC18-S1	N/R	N/R	750 1030	N/R
28" 700mm	CY-PC12-CS	CY-PC12-S1	50 340	100 690	N/A	25 170
	CY-PC14-CS	CY-PC14-S1	100 690	150 1030	50 340	75 515
	CY-PC16-CS	CY-PC16-S1	150 1030	N/R	100 690	125 860
	CY-PC18-CS	CY-PC18-S1	N/R	N/R	150 1030	150 1030

N/R = Not required. Use next smaller actuator.

N/A = Not available. Use larger actuator or contact DeZURIK.

Cylinder Actuators

Actuator Sizing

80 psi (550 kPa) Air Supply

Valve Size	Order Code	Order Code	Maximum Pressure Differential psi/kPa			
			On/Off		Positioning	
	Carbon Steel (CS) Yoke	304 SST (S1) Yoke	Dry Solids, Slurries, Paper Stock	Liquids & Gases	Dry Solids, Slurries, Paper Stock	Liquids & Gases
30" 750mm 100 CWP (P100)	CY-PC12-CS	CY-PC12-S1	25 170	75 515	N/A	N/A
	CY-PC14-CS	CY-PC14-S1	75 515	100 690	50 340	50 340
	CY-PC16-CS	CY-PC16-S1	100 690	N/R	75 515	100 690
	CY-PC18-CS	CY-PC18-S1	N/R	N/R	100 690	N/R
30" 750mm 150 CWP	CY-PC12-CS	CY-PC12-S1	25 170	75 515	N/A	N/A
	CY-PC14-CS	CY-PC14-S1	75 515	150 1030	50 340	50 340
	CY-PC16-CS	CY-PC16-S1	150 1030	N/R	75 515	100 690
	CY-PC18-CS	CY-PC18-S1	N/R	N/R	125 860	150 1030
	CY-PC20-CS	CY-PC20-S1	N/R	N/R	150 1030	N/R
32" 800mm	CY-PC12-CS	CY-PC12-S1	25 170	50 340	N/A	N/A
	CY-PC14-CS	CY-PC14-S1	50 340	125 860	25 170	50 340
	CY-PC16-CS	CY-PC16-S1	100 690	150 1030	50 340	75 515
	CY-PC18-CS	CY-PC18-S1	150 1030	N/R	100 690	150 1030
	CY-PC20-CS	CY-PC20-S1	N/R	N/R	150 1030	N/R
36" 900mm 100 CWP (P100)	CY-PC14-CS	CY-PC14-S1	25 170	75 515	N/A	25 170
	CY-PC16-CS	CY-PC16-S1	75 515	100 690	50 340	50 340
	CY-PC18-CS	CY-PC18-S1	100 690	N/R	75 515	100 690
	CY-PC20-CS	CY-PC20-S1	N/R	N/R	100 690	N/R
36" 900mm 150 CWP	CY-PC14-CS	CY-PC14-S1	25 170	75 515	N/A	25 170
	CY-PC16-CS	CY-PC16-S1	75 515	150 1030	50 340	50 340
	CY-PC18-CS	CY-PC18-S1	125 860	N/R	75 515	100 690
	CY-PC20-CS	CY-PC20-S1	150 1030	N/R	125 860	150 1030
42 & 48" 1050 & 1200mm	Contact DeZURIK for cylinder actuator sizing.					

N/R = Not required. Use next smaller actuator.

N/A = Not available. Use larger actuator or contact DeZURIK.

Cylinder Actuator Accessories

Positioners

DeZURIK cylinder actuators are available with pneumatic, electro-pneumatic or digital positioners for throttling control.

Air Filter Regulator

The DeZURIK Air Filter Regulator is designed to provide clean, accurate air pressure to actuators and positioners.

Four-Way Solenoid Valves

Solenoid valves may be ordered mounted and piped as part of a complete valve/actuator assembly or as a separate item.

Speed Control Valves

Speed Control Valves are available for controlling valve opening or closing speed with pneumatic actuators. The speed of operation is adjustable. To order mounted, add the appropriate code to the valve and actuator order code.

Speed Control	Order Code
Two speed controls	SP
One control to close	SPC
One control to open	SPO

Ordering Example:

KGC,4,HD,F1,S1,SMPS1-M*CY-PC6-CS,SP

Cylinder Actuator Accessories

Position Indicating Switches

Position Indicating Switches are available for use on double-acting cylinder actuators. Order as part of a complete valve/actuator assembly by adding the appropriate code from the table below to the valve and actuator order code. Two switches will automatically be set to indicate full open and full closed positions.

Two Switches - Open/Closed

Quantity/Description	Switch Type	Rating	Manufacturer	Order Code
2 SPDT	Mechanical	Nema 1, 3, 4, 4X, 6, 6P, 12 and 13	Honeywell LSA1A-1A	SE649
2 DPDT	Mechanical	Nema 1, 3, 4, 4X, 6, 6P, 12 and 13	Honeywell LSA2B-1A	SE524
2 SPDT	Mechanical	Nema 1, 3, 4, 6, 7 (Class 1, Division 1, Groups B, C, D), 9 (Class 2, Division 1, Groups E, F, G), 13	Honeywell LSXA3K-1A	SEH95
2 DPDT	Mechanical	Nema 1, 3, 4, 6, 7 (Class 1, Division 1, Groups B, C, D), 9 (Class 2, Division 1, Groups E, F, G), 13	Honeywell LSXA4L-1A	SEH96
2 SPDT, SST Housing	Proximity	CSA/FM Class 1, Division 1, Explosion Proof	GO 73-13526-A2	SEHK4
2 SPDT, SST Housing	Proximity	CSA Class I, Div 2, Hazardous Locations, (Groups A,B,C,D), Class II, (Groups E,F,G), Class III	GO 11-11124-A2	SEH94
2 SPDT, SST Housing	Proximity	Nema 1, 3, 4, 4X, 6, 6P, 12 and 13	Stonel HK3077SG and HK3077SR	SEHK3

One Switch - Open

Quantity/Description	Switch Type	Rating	Manufacturer	Order Code
1 SPDT	Mechanical	Nema 1, 3, 4, 4X, 6, 6P, 12 and 13	Honeywell LSA1A-1A	SEJ40
1 DPDT	Mechanical	Nema 1, 3, 4, 4X, 6, 6P, 12 and 13	Honeywell LSA2B-1A	SEJ42
1 SPDT	Mechanical	Nema 1, 3, 4, 6, 7 (Class 1, Division 1, Groups B, C, D), 9 (Class 2, Division 1, Groups E, F, G), 13	Honeywell LSXA3K-1A	SEJ46
1 DPDT	Mechanical	Nema 1, 3, 4, 6, 7 (Class 1, Division 1, Groups B, C, D), 9 (Class 2, Division 1, Groups E, F, G), 13	Honeywell LSXA4L-1A	SEJ44
1 SPDT, SST Housing	Proximity	CSA/FM Class 1, Division 1, Explosion Proof	GO 73-13526-A2	SEHK5
1 SPDT, SST Housing	Proximity	CSA Class I, Div 2, Hazardous Locations, (Groups A,B,C,D), Class II, (Groups E,F,G), Class III	GO 11-11124-A2	SEJ38
1 SPDT, SST Housing	Proximity	Nema 1, 3, 4, 4X, 6, 6P, 12 and 13	Stonel HK3077SG	SEK37

One Switch - Closed

Quantity/Description	Switch Type	Rating	Manufacturer	Order Code
1 SPDT	Mechanical	Nema 1, 3, 4, 4X, 6, 6P, 12 and 13	Honeywell LSA1A-1A	SEJ41
1 DPDT	Mechanical	Nema 1, 3, 4, 4X, 6, 6P, 12 and 13	Honeywell LSA2B-1A	SEJ43
1 SPDT	Mechanical	Nema 1, 3, 4, 6, 7 (Class 1, Division 1, Groups B, C, D), 9 (Class 2, Division 1, Groups E, F, G), 13	Honeywell LSXA3K-1A	SEJ47
1 DPDT	Mechanical	Nema 1, 3, 4, 6, 7 (Class 1, Division 1, Groups B, C, D), 9 (Class 2, Division 1, Groups E, F, G), 13	Honeywell LSXA4L-1A	SEJ45
1 SPDT, SST Housing	Proximity	CSA/FM Class 1, Division 1, Explosion Proof	GO 73-13526-A2	SEHK6
1 SPDT, SST Housing	Proximity	CSA Class I, Div 2, Hazardous Locations, (Groups A,B,C,D), Class II, (Groups E,F,G), Class III	GO 11-11124-A2	SEJ39
1 SPDT, SST Housing	Proximity	Nema 1, 3, 4, 4X, 6, 6P, 12 and 13	Stonel HK3077SR	SEK87

Electric Motor Actuators

DeZURIK Knife Gate Valves can be furnished with electric motor actuators including Limatorque, Auma, Rotork, E.I.M. and others.

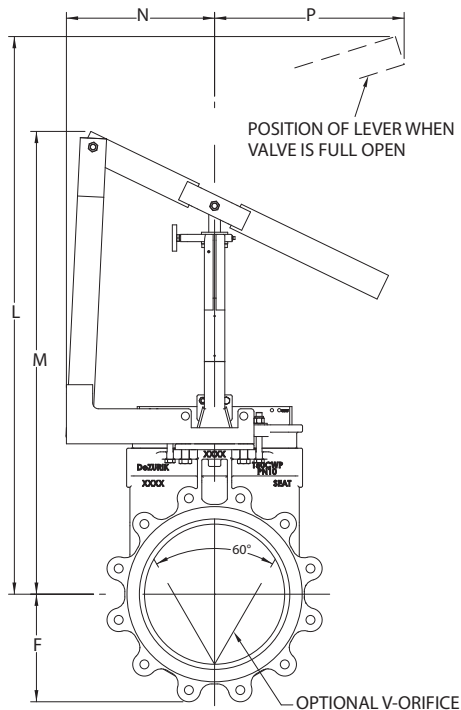
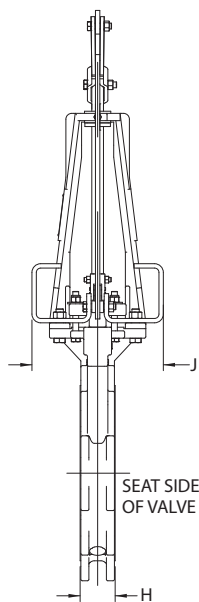
When ordering electric motor actuators, specify valve order code, shutoff pressure, service conditions (flowing media and installation direction); type of application (on/off or throttling); speed of operation; NEMA rating (4, 7, submersible, etc.); electrical characteristics (voltage and phase); actuator accessories and controls as per specification requirements.

Dimensions

Basic Valve with Lever Actuator

Valve Size	Dimensions						
	F	H	J	L	M	N	P
2" 50mm	3.0 76	1.88 48	5.75 146	15.96 405	14.78 375	4.38 111	8.00 203
3" 80mm	3.75 95	2.00 51	7.75 197	21.78 553	17.75 451	5.38 137	17.88 454
4" 100mm	4.50 114	2.00 51	7.88 200	29.40 747	19.87 505	6.12 155	24.12 613
5" 125mm	5.00 127	2.25 57	8.62 219	37.50 953	22.76 578	7.38 187	19.81 503
6" 150mm	5.50 140	2.25 57	8.62 219	42.00 1067	23.32 592	7.38 187	16.81 427
8" 200mm	6.75 171	2.75 70	9.38 238	58.12 1476	27.68 703	7.88 200	21.12 536
10" 250mm	8.00 203	2.75 70	11.25 286	68.19 1732	35.13 892	10.62 270	21.53 699
12" 300mm	9.50 241	3.00 76	11.25 286	76.03 1931	39.47 1003	12.69 322	33.44 849

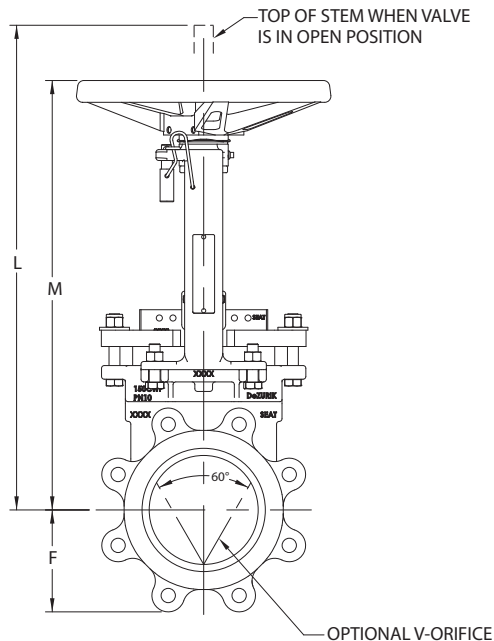
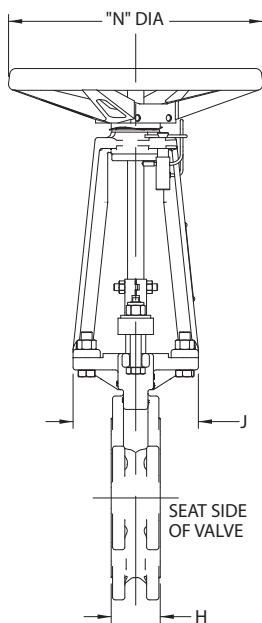
Inches
Millimeters



Basic Valve with Handwheel Actuator

Valve Size	Dimensions					
	F	H	J	L	M	N
2" 50mm	3.00 76	1.88 48	4.00 102	14.93 379	12.90 328	8.00 203
3" 80mm	3.75 95	2.00 51	4.75 121	16.65 423	14.62 371	8.00 203
4" 100mm	4.50 114	2.00 51	5.00 127	19.93 506	16.90 429	8.00 203
5" 125mm	5.00 127	2.25 57	5.75 146	24.30 618	19.56 497	12.00 305
6" 150mm	5.50 140	2.25 57	5.75 146	25.88 657	21.07 535	12.00 305
8" 200mm	6.75 171	2.75 70	6.38 162	31.43 798	24.65 626	12.00 305
10" 250mm	8.00 203	2.75 70	8.25 210	39.13 994	30.00 762	16.00 406
12" 300mm	9.50 241	3.00 76	8.25 210	44.75 1137	33.63 854	16.00 406
14" 350mm	10.50 267	3.00 76	8.25 210	54.75 1391	40.82 1037	20.00 508
16" 400mm	11.75 298	3.50 89	8.69 221	58.44 1484	42.38 1076	20.00 508
18" 450mm	12.50 318	3.50 89	9.06 230	67.75 1721	49.69 1262	20.00 508
20" 500mm	13.75 349	4.50 114	9.19 233	71.31 1811	51.25 1302	20.00 508
22" 550mm	15.5 394	4.50 114	9.19 233	77.22 1961	55.36 1406	20.00 508
24" 600mm	16.00 406	4.50 114	9.19 233	83.29 2116	59.22 1504	20.00 508

Inches
Millimeters

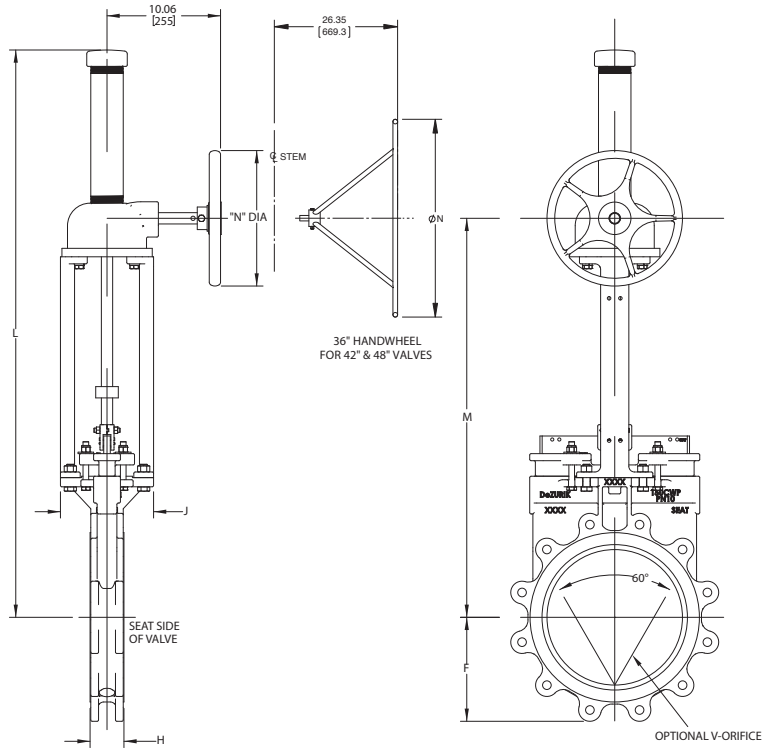


Dimensions

Bevel Gear Handwheel Actuator

Valve Size	Dimensions					
	F	H	J	L	M	N
3"	3.75	2.00	4.75	22.00	16.09	12.00
80mm	95	51	121	559	409	305
4"	4.50	2.00	5.00	24.30	18.37	12.00
100mm	114	51	127	617	467	305
5"	5.00	2.25	5.75	28.70	20.76	12.00
125mm	127	57	146	729	527	305
6"	5.50	2.25	5.75	30.30	22.29	12.00
150mm	140	57	146	769	566	305
8"	6.75	2.75	6.38	35.80	25.84	12.00
200mm	171	70	162	910	656	305
10"	8.00	2.75	8.25	46.50	31.54	12.00
250mm	203	70	210	1181	801	305
12"	9.50	3.00	8.25	50.20	35.16	12.00
300mm	241	76	210	1275	893	305
14"	10.50	3.00	8.25	56.70	37.78	12.00
350mm	267	76	210	1440	960	305
16"	11.75	3.50	8.69	60.40	41.47	12.00
400mm	298	89	221	1534	1053	305
18"	12.50	3.50	9.06	69.90	47.08	12.00
450mm	318	89	230	1775	1195	305
20"	13.75	4.50	9.19	73.50	50.59	16.00
500mm	349	114	233	1867	1285	406
24"	16.00	4.50	9.19	81.50	58.57	16.00
600mm	406	114	233	2070	1488	406
26"	17.13	4.63	9.50	100.95	64.49	30.00
650mm	435	117	241	2564	1638	762
28"	18.25	5.00	10.69	104.83	68.37	30.00
700mm	464	127	271	2663	1737	762
30"*	19.38	5.50	11.25	105.03	73.09	30.00
750mm	492	140	286	2668	1856	762
32"	20.88	6.00	11.25	113.20	76.74	30.00
800mm	530	152	286	2875	1949	762
36"*	23.00	6.00	11.25	122.53	84.59	30.00
900mm	584	152	286	3112	2149	762
42"	26.50	6.50	13.50	146.28	96.91	36.00
1050mm	673	165	343	3716	2462	914
48"	29.75	7.00	18.50	194.87	116.85	36.00
1200mm	756	178	470	4950	2968	914

Inches
Millimeters



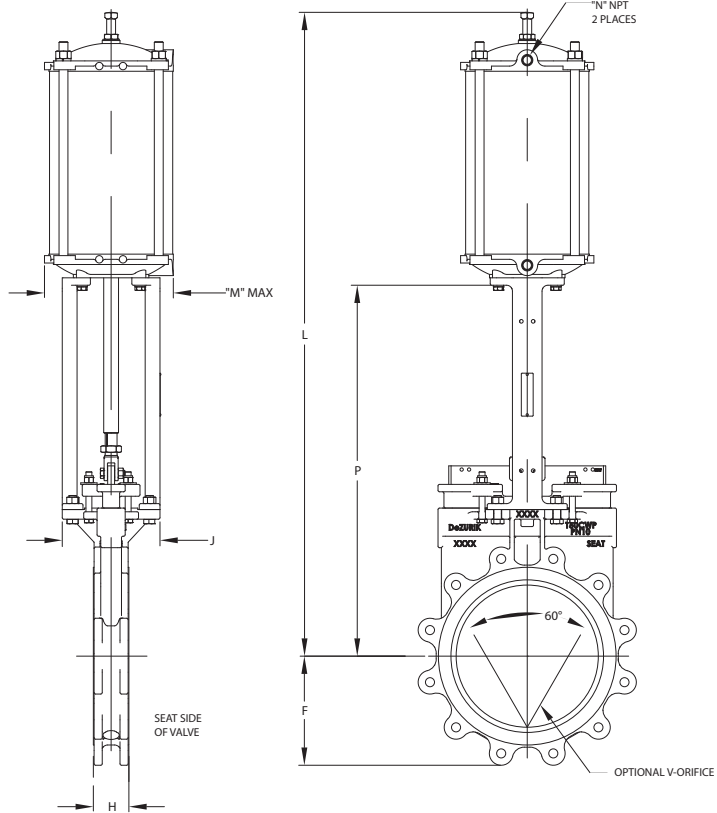
* 100 psi, face-to-face (H dimension) on 30" and 36" (750 and 900mm) is 4.62" (117mm)

Dimensions

Basic Valve with Cylinder Actuator

Valve Size	Dimensions		
	F	H	J
2" 50mm	3.00 76	1.88 48	4.00 102
3" 80mm	3.75 95	2.00 51	4.75 121
4" 100mm	4.50 114	2.00 51	5.00 127
5" 125mm	5.00 127	2.25 57	5.75 146
6" 150mm	5.50 140	2.25 57	5.75 146
8" 200mm	6.75 171	2.75 70	6.38 162
10" 250mm	8.00 203	2.75 70	8.25 210
12" 300mm	9.50 241	3.00 76	8.25 210
14" 350mm	10.50 267	3.00 76	8.25 210
16" 400mm	11.75 298	3.50 89	8.69 221
18" 450mm	12.50 318	3.50 89	9.06 230
20" 500mm	13.75 349	4.50 114	9.19 233
22" 550mm	15.50 394	4.50 114	9.19 233
24" 600mm	16.00 406	4.50 114	9.19 233
26" 650mm	17.13 435	4.63 117	9.50 241
28" 700mm	18.25 464	5.00 127	10.69 271
30"* 750mm	19.38 492	5.50 140	11.25 286
32" 800mm	20.88 530	6.00 152	11.25 286
36"* 900mm	23.00 584	6.00 152	11.25 286
42" 1050mm	26.50 673	6.50 165	13.50 343
48" 1200mm	Contact DeZURIK		

Inches
Millimeters



2-16" (50-400mm) Valves

Actuator Number	Dimensions											M	N
	L												
	2" 50mm	3" 80mm	4" 100mm	5" 125mm	6" 150mm	8" 200mm	10" 250mm	12" 300mm	14" 350mm	16" 400mm			
CY-PC4	22.26 565	23.98 609	26.26 667	30.64 778	32.18 817	—	—	—	—	—	5.38 137	1/4	
CY-PC6	—	—	27.61 701	32.00 813	33.56 852	39.11 993	47.13 1197	None	—	—	7.88 200	1/4	
CY-PC8	—	—	—	32.38 822	33.94 862	39.49 1003	49.57 1259	53.19 1351	59.06 1500	62.74 1594	10.50 267	1/2	
CY-PC10	—	—	—	—	—	—	50.97 1295	54.59 1387	60.35 1533	64.03 1626	13.00 330	1/2	
CY-PC12	—	—	—	—	—	—	50.94 1294	54.56 1386	60.70 1542	64.38 1635	15.00 381	1/2	
CY-PC14	—	—	—	—	—	—	—	—	—	63.68 1617	17.00 432	1/2	

Inches
Millimeters

18-48" (450-1200mm) Valves

Actuator Number	Dimensions												M	N
	L													
	18" 450mm	20" 500mm	22" 550mm	24" 600mm	26" 650mm	28" 700mm	30" 750mm	32" 800mm	36" 900mm	42" 1050mm	48" 1200mm			
CY-PC10	73.59 1869	77.16 1960	—	—	—	—	—	—	—	—	—	13.00 330	1/2	
CY-PC12	73.935 1878	77.495 1968	85.52 2172	89.475 2273	—	—	—	—	—	—	—	15.00 381	1/2	
CY-PC14	73.24 1860	76.81 1951	85.52 2172	88.78 2255	95.38 2423	101.44 2577	108.19 2748	—	—	—	—	17.00* 432	1/2	
CY-PC16	70.25 1784	75.94 1929	82.00 2083	87.91 2233	95.50 2426	101.56 2580	108.31 2751	113.94 2894	125.81 3196	—	Contact DeZURIK	17.00 432	1/2	
CY-PC18	—	—	—	88.16 2239	95.75 2432	101.81 2585	108.56 2757	114.19 2900	126.06 3202	143.19 3637	—	19.00 483	3/4	
CY-PC20	—	—	—	—	—	102.06 2592	109.81 2789	115.44 2932	126.31 3208	143.44 3643	—	21.00 533	3/4	

* M dimension on 26-30" (650-750mm) is 14.75" (375mm)

Inches
Millimeters

Sales and Service

For information about our worldwide locations, approvals, certifications and local representative:

Web Site: www.dezurik.com E-Mail: info@dezurik.com



250 Riverside Ave. N. Sartell, Minnesota 56377 • Phone: 320-259-2000 • Fax: 320-259-2227

DeZURIK, Inc. reserves the right to incorporate our latest design and material changes without notice or obligation. Design features, materials of construction and dimensional data, as described in this bulletin, are provided for your information only and should not be relied upon unless confirmed in writing by DeZURIK, Inc. Certified drawings are available upon request.